

## Cord Grips 90° Connectors

Size Range: 1/2 - 1"

Product Series: CG Connectors Specification Grade

Material: Steel Construction with  
Stainless Steel Material Option\*

Grommet: Santoprene, UL 94 V-0 FDA Approved

Zinc Plated with a Chromate Finish

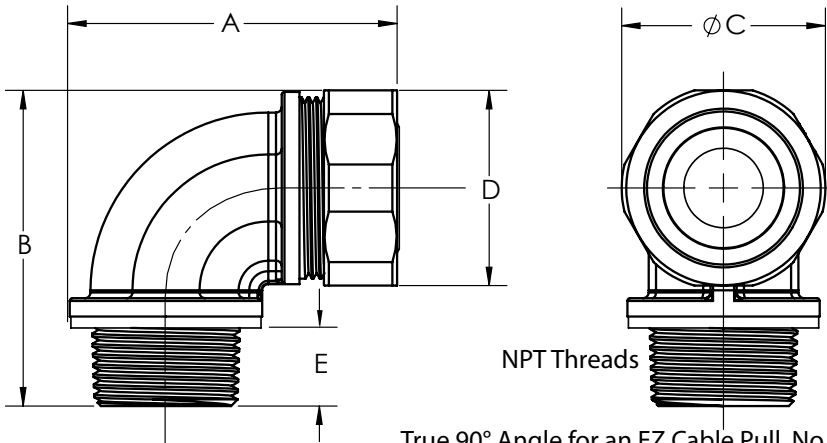
Made in the USA

Industrial SPEC-grade

Full FLAT HEX Surface with  
EZ Torque Steel Compression Nut &  
Steel Compression Ring  
Torques Tight & Right on Cord



Options: Available  
Sealing Washer & Locknut



True 90° Angle for an EZ Cable Pull. No sharp binding edges or burrs to snag your cable.

Cat #	Trade Size	Cable Ranges		A Length	B Height	C Diameter	D Hex	E Thread Length	Wt. Per/C
		Min	Max						
CG50A25090	1/2"	.150	.250	2-1/4"	1-13/16"	1-3/16"	1-1/8"	5/8"	24
CG50A35090	1/2"	.250	.350	2-1/4"	1-13/16"	1-3/16"	1-1/8"	5/8"	24
CG50A45090	1/2"	.350	.450	2-1/4"	1-13/16"	1-3/16"	1-1/8"	5/8"	24
CG50A56090	1/2"	.450	.560	2-1/4"	1-13/16"	1-3/16"	1-1/8"	5/8"	24
CG50A65090	1/2"	.560	.650	2-1/4"	1-13/16"	1-3/16"	1-1/8"	5/8"	24
CG75A25090	3/4"	.150	.250	2-1/2"	2-3/8"	1-7/16"	1-3/8"	5/8"	42
CG75A35090	3/4"	.250	.350	2-1/2"	2-3/8"	1-7/16"	1-3/8"	5/8"	42
CG75A45090	3/4"	.350	.450	2-1/2"	2-3/8"	1-7/16"	1-3/8"	5/8"	42
CG75A56090	3/4"	.450	.560	2-1/2"	2-3/8"	1-7/16"	1-3/8"	5/8"	42
CG75A65090	3/4"	.560	.650	2-1/2"	2-3/8"	1-7/16"	1-3/8"	5/8"	42
CG75B75090	3/4"	.650	.750	2-1/2"	2-1/4"	1-7/16"	1-3/8"	5/8"	36
CG75B85090	3/4"	.750	.850	2-1/2"	2-1/4"	1-7/16"	1-3/8"	5/8"	36
CG100B56090	1"	.450	.560	3"	2-3/4"	1-3/4"	1-11/16"	11/16"	72
CG100B65090	1"	.560	.650	3"	2-3/4"	1-3/4"	1-11/16"	11/16"	72
CG100B75090	1"	.650	.750	3"	2-3/4"	1-3/4"	1-11/16"	11/16"	72
CG100B85090	1"	.750	.850	3"	2-3/4"	1-3/4"	1-11/16"	11/16"	72
CG100C95090	1"	.850	.950	3-1/16"	2-3/4"	1-3/4"	1-11/16"	11/16"	68
CG100C105090	1"	.950	1.050	3-1/16"	2-3/4"	1-3/4"	1-11/16"	11/16"	68

**Compliances:**

Certified Made in the USA  
UL 514B  
NEMA Standard FB1 Rated Liquid Tight NPT Threads  
Federal Standard A-A-50553  
UL Rated Suitable for Hazardous Locations  
NEC: Class I, Division 2  
Class II, Divisions 1 and 2  
Class III, Divisions 1 and 2  
NEC 501-4(b), 505-4(a), 503-3(a)  
CSA Standard: C22.2 No. 18F  
RoHS and REACH Compliant  
CA Prop 65 Compliant  
UNSPC 39121719



**Features:**

Precision Machined Cut Threads NPT  
  
Solid Grommet and Compression Ring Engages Cable Provides Exceptional Retention & Bend Radius

**Available Options:**

- \* Material Option: For **T316 Stainless Steel** Add SST to Cat #
- \*\* Insulated Throat Bushing 105°C UL Rating  
Factory Installed Bushing - Add Suffix "B" to Above Cat #
- Factory Installed Grounding Lug
- Wire Mesh Strain Relief
- Locknuts and Sealing Washer