

Liquid Tight 90° Fitting with Mesh SR

Size Range: 3/8" - 2"

Product Series: STRGT Seal Tight Fitting with Wire Mesh Strain Relief Grips

Material: Solid Alloy Steel Construction

Stainless Steel T316 Mesh

Fitting is Zinc Plated with a Chromate Finish

Made in the USA

Features:

Precision Machined Cut Threads NPT

Furnished with Steel Locknut and Sealing Washer and

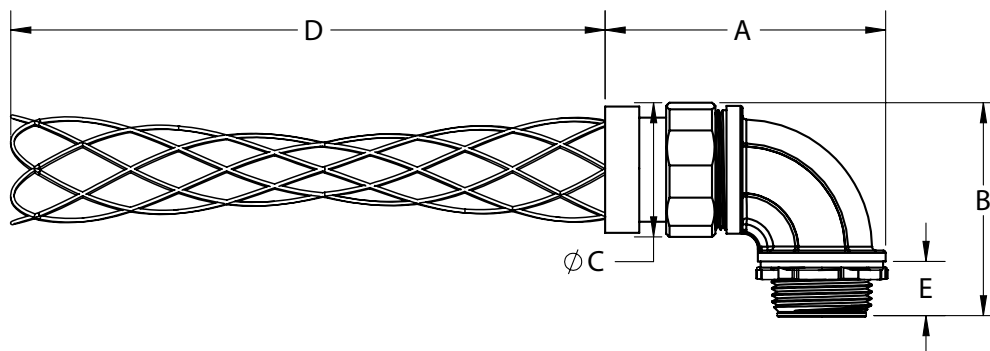
Insulated Throat Bushing 105° Rating

Extra Long Ferrule Engages Conduit Provides Exceptional Retention

|

Twice the Strength and Durability of ALL Die Cast and Malleable Products

Industrial SPEC-grade



Cat #	Trade Size	A Length	B Height	C Diameter	D Mesh Length	E Thread Length	Wt. Per/C
STR3890GT	3/8"	2-11/16"	1-7/8"	1-1/8"	6"	5/8"	26
STR5090GT	1/2"	2-3/4"	1-7/8"	1-3/16"	6"	5/8"	28
STR7590GT	3/4"	3-1/16"	2-1/4"	1-7/16"	6-1/2"	5/8"	41
STR10090GT	1"	3-1/2"	2-3/4"	1-3/4"	7-1/2"	11/16"	72
STR12590GT	1-1/4"	3-13/16"	3-1/16"	2-3/16"	10-1/2"	11/16"	98
STR15090GT	1-1/2"	4-1/2"	3-1/4"	2-3/8"	11-1/2"	3/4"	137
STR20090GT	2"	4-15/16"	3-13/16"	2-7/8"	13-1/2"	3/4"	206

Compliances:

Certified Made in the USA

UL 514 B, 467

NEMA Standard FB1

Rated NEMA Types 2, 3, 3R, 3, 4X, 5, 12, 13

NEC: Class I, Division 2

Class II, Divisions 1 and 2

Class III, Divisions 1 and 2

Federal Standard A-A-50553

UL Rated for Wet Locations

CSA Standard: C22.2 No. 18F

RoHS Compliant

REACH Compliant

CA Prop 65 Compliant

UNSPSC 39123033



For indoor and outdoor use to connect seal tight conduit to electrical enclosures and equipment.

Used for preventing cable pullout damage and for controlling arc-of-bend by absorbing tension from terminals

Ideal For Use In:

- On-machine Wiring
- Hvac Applications
- Food Processing
- Chemical Plants
- Mines
- Machine Tool Shops
- Motor Connections