

Rigid RT Steel Comp. NT Coupling

Size Range: 1/2" - 4" 2 1/2" thru 4" are UL Listed & Approved for Use on Both EMT & Rigid

Product Series: NT Rain Tight Rigid / IMC Compression Coupling

Material: Solid Alloy Steel Construction

Zinc Plated with a Chromate Finish **

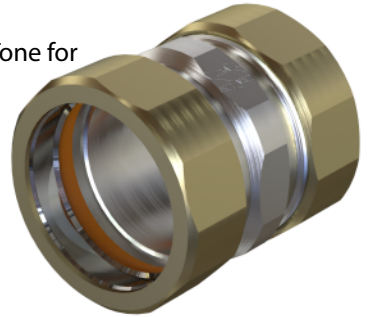
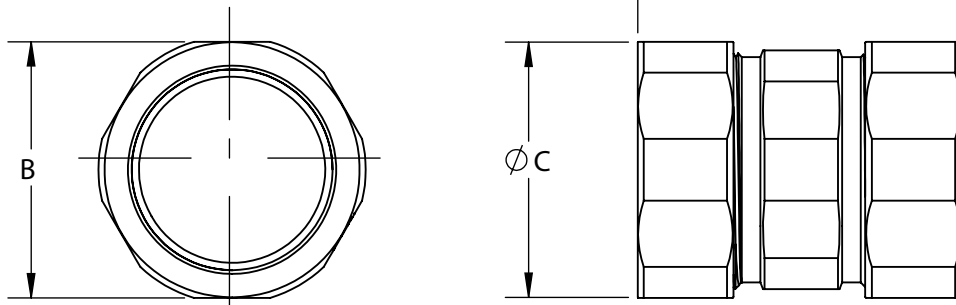
Made in the USA

Features:

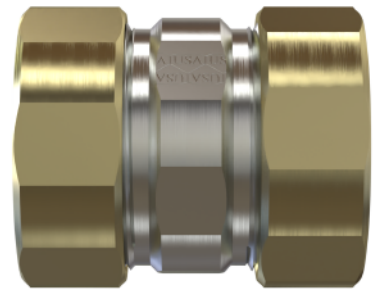
- Precision Machined Cut Threads
- AMFICO EZ **Torque** Solid Steel Compression Nuts
- Easily Torques Tight and Right
- UL Rated Concrete Tight UL Listed Rain Tight Suitable for Direct Burial
- Suitable for Use with UL Listed Rigid AL Conduit
- Twice the Strength and Durability with a Fraction of the Weight and Size of Malleable Iron

Compression Nuts Plated Gold Tone for EZ Inspection and Identification

Guaranteed Rain Tight



RT Compression Coupling



Full FLAT HEX Surface for EZ Torque Steel Compression Nuts Torques Tight & Right

Cat #	TRADE SIZE	A LENGTH	B HEX	C DIAMETER	Wt. Per/C
NT2760RT	1/2"	1-13/16"	1-1/8"	1-3/16"	16
NT2761RT	3/4"	2-1/8"	1-3/8"	1-7/16"	24
NT2762RT	1"	2-7/16"	1-11/16"	1-3/4"	48
NT2763RT	1-1/4"	2-13/16"	2-1/16"	2-3/16"	64
NT2764RT	1-1/2"	3-1/8"	2-15/16"	2-3/8"	110
NT2765RT	2"	3-1/4"	2-13/16"	2-7/16"	140
ERC250CPLGRT (1)	2-1/2"	3-13/16"	3-1/4"	3-7/16"	150
ERC300CPLGRT (1)	3"	3-15/16"	3-15/16"	4"	192
ERC350CPLGRT (1)	3-1/2"	3-15/16"	4-7/16"	4-9/16"	229
ERC400CPLGRT (1)	4"	4"	4-15/16"	5-1/8"	266

(1) 2 1/2" to 4" UL Listed and Rated for both EMT & Rigid Conduit. Product is stamped accordingly.

Compliances:

- Certified Made in the USA
- UL 514B, 467 UL Listed Rain Tight
- Compression Fittings Concrete Tight Suitable for Direct Burial
- Suitable for Use with UL Listed Rigid AL Conduit
- NEMA Standard FB1
- Federal Standard A-A-50553
- Certified for MIL-STD 810 Sinusoidal Vibrations
- CSA Standard: C22.2 No. 18F
- RoHS Compliant
- REACH Compliant
- CA Prop 65 Compliant
- UNSPSC 39121311



Available OPTIONS:

- ** Galvanized Plating - Option
- For this Option, Add Suffix "G" to Above Cat Number
- Color Coded Painted (powder coated) Fittings - See Catalog Page
- Rain Tight Series Recommended for Direct Burial Requirements

Rigid RT Steel Comp. NT Connector

Industrial SPEC-grade

Size Range: 1/2" - 4" 2 1/2" thru 4" are UL Listed & Approved for Use on Both EMT & Rigid

Product Series: NT Rain Tight Rigid / IMC Compression Connector

Zinc Plated with a Chromate Finish **

Material: Solid Alloy Steel Construction

Made in the USA

Features:

Precision Machined Cut Threads

AMFICO EZ Torque Solid Steel Compression Nut

Zinc Plated with a Chromate Finish **

UL Rated Concrete Tight UL Listed Rain Tight Suitable for Direct Burial

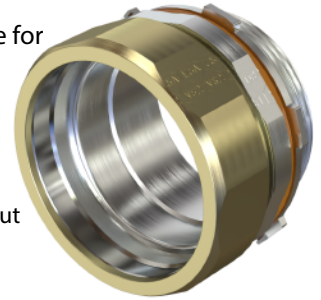
Suitable for Use with UL Listed Rigid AL Conduit

Twice the Strength and Durability with a Fraction of the Weight and Size of Malleable Iron

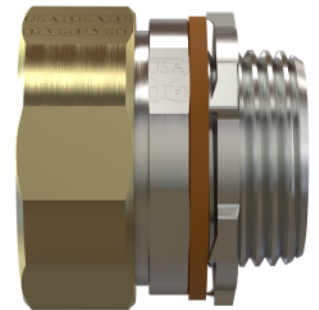
Compression Nut Plated Gold Tone for EZ Inspection and Identification

Guaranteed Rain Tight

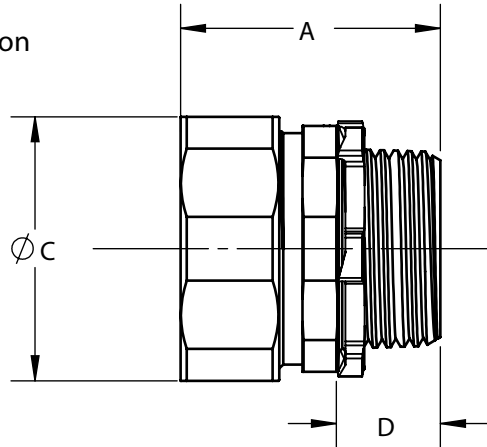
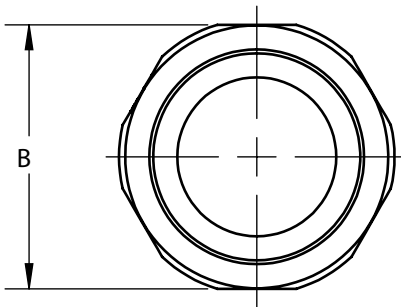
Full FLAT HEX Surface for EZ Torque Compression Nut Torque Tight & Right



RT Compression Connector



Furnished with UL Listed Steel Locknut and Rain Tight Sealing Ring



Cat #	TRADE SIZE	A LENGTH	B HEX	C DIAMETER	D THREAD LENGTH	Wt. Per/C
NT2750RT	1/2"	1-1/2"	1-1/8"	1-3/16"	1/2"	13
NT2751RT	3/4"	1-5/8"	1-3/8"	1-7/16"	1/2"	20
NT2752RT	1"	1-15/16"	1-11/16"	1-3/4"	11/16"	36
NT2753RT	1-1/4"	2-1/8"	2-1/16"	2-3/16"	11/16"	48
NT2754RT	1-1/2"	2-3/8"	2-5/16"	2-3/8"	3/4"	70
NT2755RT	2"	2-1/2"	2-13/16"	2-7/8"	3/4"	100
ERC250CONNRT (1)	2-1/2"	3-7/16"	3-1/4"	3-7/16"	1"	120
ERC300CONNRT (1)	3"	4"	3-15/16"	4"	1"	165
ERC350CONNRT (1)	3-1/2"	4-9/16"	4-7/16"	4-9/16"	1"	201
ERC400CONNRT (1)	4"	5-1/8"	4-15/16"	5-1/8"	1"	237

(1) 2 1/2" to 4" UL Listed and Rated for both EMT & Rigid Conduit. Product is stamped accordingly.

Compliances:

Certified Made in the USA

UL 514B, 467 UL Listed Rain Tight

Compression Fittings Concrete Tight Suitable for Direct Burial

Suitable for Use with UL Listed Rigid AL Conduit

NEMA Standard FB1

Federal Standard A-A-50553

Certified for MIL-STD 810 Sinusoidal Vibrations

CSA Standard: C22.2 No. 18F

RoHS Compliant

REACH Compliant

CA Prop 65 Compliant

UNSPSC 39121311



Available OPTIONS:

Factory Installed 105° UL Rating Insulated Bushing-
For this Option, Add Suffix B to Above Cat Number

** Galvanized Plating - Option

For this Option, Add Suffix "G" to Above Cat Number

Color Coded Painted (powder coated) Fittings- See Catalog Page

Rain Tight Series Recommended for Direct Burial Requirements