

# EMT & Rigid Conduit Brace

Wall Penetration Sleeve and Conduit Brace

**A Complete Out of the Box Bracing or Conduit Sleeve Solution - "Just Add Your Conduit"**

Industrial SPEC-grade

**Uni-BRACE™**



Fully Supports Conduit and Prohibits Conduit from Moving

Integrated Alloy Steel Zinc Plated Escutcheon Plate

Smooth ID & Rounded Edges Provides a Fast and Safe Wire Pull

No Bushing Required RainTight Option Available Sealing Ring and Gasket



Precision Machined Threads on Connector Body & Nut Patented Compression Ring

Steel Construction, Zinc Plated, Chromate Compression Connector

Flat Wrenching Surface, Accommodates Channel Lock to Wrench Secure

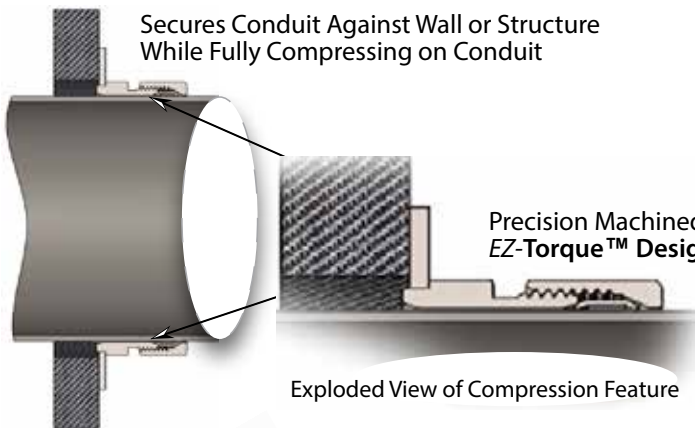
No Need to Disassemble, Simply Loosen Nut and Slide on Conduit

Once Tightened, Completely Braces and Secures Conduit from Forward, Backward & Lateral Movement

Fully Machined ID to Assist and Provide a Fast & Easy Wire Pull NEVER a Burr or Edge

Low Profile, Modern Design to Blend with Conduit

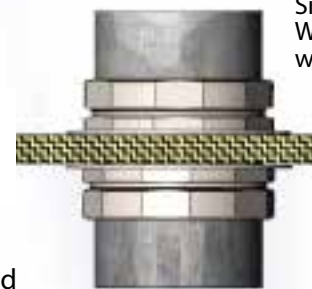
Secures Conduit Against Wall or Structure While Fully Compressing on Conduit



Precision Machined Steel Threads EZ-Torque™ Design

Exploded View of Compression Feature

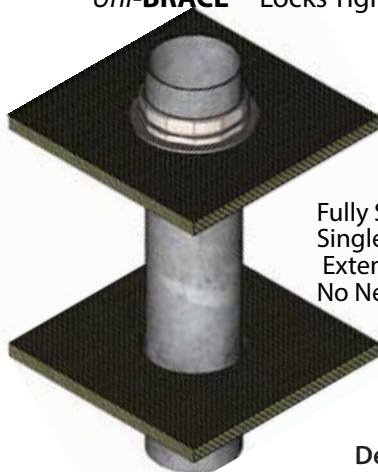
Single ByPass Wall Full Dual Bracing with 2 Units



Uni-BRACE™ Locks Tight & Right, Can be Removed and Repositioned

Use in Vertical Runs As a Floor or Ceiling Sleeve and Securing Conduit

Fully Secure and Brace Single Length or Extended Conduit Runs No Need to Thread Conduit



Use Two Units to Fully Brace Conduit On Both Multiple Pass Throughs



Expand Your Runs Gain Bracing While Locking Your Conduit in Place

Designed & Manufactured in the USA by AMERICAN FITTINGS Corporation

# EMT & Rigid Conduit Brace

## Wall Penetration Sleeve and Conduit Brace

**Size Range: 1" to 4" Alloy Steel**  
 Zinc Plated with Chromate Finish \*\*\*  
 2-1/2" through 4" Compression Fittings are  
 UL Listed & Approved for Both EMT & Rigid Conduit \*  
 EMT, Rigid and IMC Conduit \*

Conduit Brace and Wall Sleeve Can Be Used for  
 EMT and Rigid Conduit on  
 Internal & External Walls, & Enclosure, Boxes

Locks Your Conduit in Place on Single or Both Ends of Walls, Ceilings. or Floors  
 Fully Supports and Braces Conduit Loads  
 Provides Supports Where Straps and Hangers Cannot be Used  
 Creates and Seals Entry Through Holes  
 Provides a Finished Look to Conduit Run in Public Areas

US Patented Design

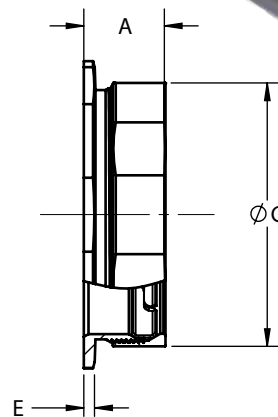
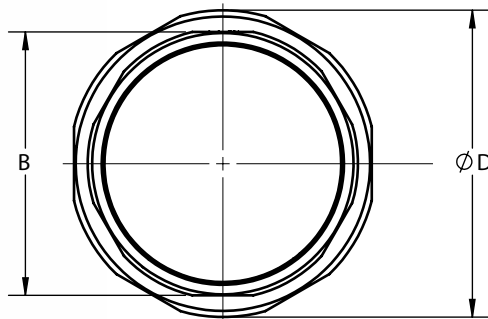
**Featuring:**  
 Connector Body & Compression Nut  
 Machined from Solid Alloy Steel Bar Stock

Flat Hex Surfaces for Full and EZ-Torque™  
 Fully Precisioned Machine Cut Threads  
 Galvanized Plating Option Available \*\*

**Industrial SPEC-grade  
 Uni-BRACE™**



Patented



**Save Time & Money**

No Need to Thread Rigid Conduit Provides Full Support and Bracing  
 No Need to Cut Pipe for Pass-Through Walls, Run Full Length of Pipe

CAT #	Trade Size	A Length	B Hex	C Diameter	D Outer Diameter	E Brace Thickness	Wt. Per/C
ERCB100	1" *	1-1/16"	1-7/16"	1-1/2"	2-1/16"	3/16"	18
ERCB200	2" *	1-3/8"	2-9/16"	2-11/16"	3-3/8"	3/16"	45
ERCB250	2-1/2"	1-5/16"	3-1/4"	3-3/8"	4"	3/16"	60
ERCB300	3"	1-7/16"	3-15/16"	4"	4-9/16"	3/16"	78
ERCB350	3-1/2"	1-7/16"	4-7/16"	4-9/16"	5-1/8"	3/16"	80
ERCB400	4"	1-11/16"	4-15/16"	5-1/16"	6-1/2"	3/16"	183

\* 1" and 2" rated for EMT Only Consult Factory for Other Sizes

Dimensions shown are + 1/16" - 1/32"

\*\*\* Plating Options: Galvanized Plating Option: Add suffix "G" to cat #

**Compliances:**

- Certified Made in the USA
- Compression Fittings Are UL Listed
- Acts as a Fire Stop When Used with UL Rated Fire Stop Putty Seal or Conduit Wrap \*
- Rated Mil-STD 810 Sinusoidal Vibration Test
- Federal Standard A-A-50553
- Compression Fittings Comply to UL Standards: 514B, 467
- CA Prop.65 Compliance
- RoHS Compliant

\* Fire Stop Ratings and Code Requirements are strictly left to the installer and design firm..

**Uni-BRACE™ Can Be Color Coded  
 QUICKLY IDENTIFY CRITICAL SYSTEMS**

Fire alarms, security systems, fiber optics,  
 high- and low-voltage circuits, data circuit with  
**Color Coded Uni-BRACE™** for Your  
 Thru-the-Wall Sleeves and Conduit Runs.

